

N-Tron® Series NT5008-DM2

Gigabit Managed Ethernet Switch

THE NT5008-DM2 GIGABIT INDUSTRIAL SWITCH SETS A NEW STANDARD FOR PERFORMANCE, RELIABILITY, AND EASE OF USE. THE SWITCH FEATURES A MODERN, GRAPHICAL USER INTERFACE WITH A QUICK START WIZARD TO GUIDE USERS THROUGH SWITCH CONFIGURATION. A LOGICAL VIEW OF THE SWITCH SHOWS ACTIVE PORTS, TEMPERATURE, ALARM AND LED STATUS, ALONG WITH PORT TRAFFIC AND EVENT GAUGES IN A SINGLE EASY TO READ DASHBOARD. FEATURES INCLUDE:



- ▲ Six 10/100/1000 RJ45 ports
- ▲ Two dual mode 100/1000Base SFP expansion slots; supports 100Base or 1000Base SFP transceivers
- ▲ Redundant 10–49 VDC power inputs
- ▲ High shock and vibration tolerance
- ▲ N-Ring™ auto-member and RSTP/MSTP network redundancy
- ▲ Password encryption, IEEE 802.1X, RADIUS, MAC filtering, syslog
- ▲ Advanced management and diagnostics features



Ordering Guide

MAIN UNIT

PART NUMBER	DESCRIPTION
NT-5008-DM2-0000	8-Port Gigabit Managed Industrial Ethernet Switch (6 10/100/1000BaseT RJ45 Ports, 2 Dual Mode 100/1000Base SFP Expansion Slots)

Model number may be followed by –CC indicating conformal coating.

ACCESSORIES

PART NUMBER	DESCRIPTION
NT-CPMA-04-00000	NT5000 Panel Mount Kit, Type B (Narrow)
NTPS-24-1-3	DIN Rail Power Supply, 1.3 Amp @ 24 VDC
NTSFP-FX	100BaseFX Multimode Fiber SFP Transceiver (LC Style Connector, 2 km)
NTSFP-FXE-15	100BaseFX Singlemode Fiber SFP Transceiver (LC Style Connector, 15km)
NTSFP-FXE-40	100BaseFX Singlemode Fiber SFP Transceiver (LC Style Connector, 40 km)

NT5008-DM2 Specifications

PART NUMBER	DESCRIPTION
NTSFP-FXE-80	100BaseFX Singlemode Fiber SFP Transceiver (LC Style Connector, 80 km)
NTSFP-SX	1000BaseSX Multimode Fiber SFP Transceiver (LC Style Connector, 550 m)
NTSFP-LX-10	1000BaseLX Singlemode Fiber SFP Transceiver (LC Style Connector, 10 km)
NTSFP-LX-40	1000BaseLX Singlemode Fiber SFP Transceiver (LC Style Connector, 40 km)
NTSFP-LX-80	1000BaseLX Singlemode Fiber SFP Transceiver (LC Style Connector, 80 km)
NTSFP-TX	1000BaseT Copper SFP Transceiver (RJ45 Connector)

Specifications

HARDWARE

Compact, space saving, hardened industrial design

Wide operating temperature

High shock and vibration tolerance

Shock: IEC 68-2-27: 200 g @ 10 ms Triaxial; non-operational; panel mounted

Vibration: IEC 68-2-6: 15 g @ 5-200 Hz Triaxial; operational; panel mounted

Reverse polarity protection

ESD and surge protection

Fast boot (traffic passes <20 seconds)

Configurable alarm contact

Configurable bi-color fault status LED

LED port status indicators

Jumbo frame support

Redundant power inputs (10-49 VDC)

Hardened industrial design

IEEE 802.3 compliance

Full wire speed communication

MDIX auto-sensing cable

Auto-sensing speed and flow control

Up to 16.0 Gb/s maximum throughput

Store-and-forward technology

Number of MAC addresses: up to 4k

Latency (typical): < 1.8 μs

MTBF: 1.5M Hours

MANAGEMENT

Modern, intuitive Web Interface

Configuration wizard

Graphical dashboard and logical view of the switch

Command Line Interface

Port control

IGMP v1/v2/v3 auto-configuration

SNMP v1/v2/v3

NTP

802.1Q tag VLAN and port VLAN

IEEE 802.1p QoS and port QoS

DHCP client

Text-based configuration file

File transfer: HTTP/HTTPS, TFTP, SNMP

SECURITY

SSH, SSL, HTTPS

MAC Filtering

IEEE 802.1X with RADIUS remote server authentication

Port/User lockout after failed authentication attempts

SNMPv3

Password encryption

DIAGNOSTIC

Port mirroring

Event log/Syslog

LLDP

Advanced cable diagnostics

NETWORK REDUNDANCY

RSTP/MSTP

Port trunking/LACP

N-Ring™ auto-member

MIBs

RFC 2674 VLAN MIB

RFC 2819 RMON (Group 1, 2, 3 & 9)

RFC 1213 MIB II

RFC 1215 TRAPS MIB

RFC 4188 Bridge MIB

RFC 4292 IP Forwarding Table MIB

RFC 4293 Management Information Base for the Internet Protocol (IP)

RFC 5519 Multicast Group Membership Discovery MIB

RFC 2863 Interface Group MIB using SMI v2

RFC 4133 Entity MIB version 3

RFC 3411 SNMP Management Frameworks

RFC 3414 User-based Security Model for SNMPv3

RFC 3415 View-based access Control Model for SNMP

IEEE 802.1AB LLDP-MIB

IEEE 802.1 MSTP MIB

SOFTWARE TOOL TO MANAGE/SCHEDULE

FIRMWARE UPDATES

N-View™ 2

CERTIFICATION & COMPLIANCE

Product Safety: UL 61010 and C22.2 No. 61010 OrdLoc, UL

121201 and CSA C22.2 No. 213 Class I, Division 2 HazLoc,

ATEX, IECEx and UKEx II 3 G Ex ec nC IIC T4 Gc, UL 20 ATEX

2645X, UL 22.0038X IECEx and UL22UKEX2346X

EMI/EMC: CFR 47, Part 15, Subpart B, Canada ICES-003, ANSI

NT5008-DM2 Dimensions and Specifications

C63.4, EN 61000-6-2 and 4, IEC 61000-4-2, 3, 4, 5, 6 and 8
 Shock & Vibration (panel mounted) - IEC 68-2-27: 200 g @ 10 ms
 Triaxial; non-operational, IEC 68-2-6: 15 g @ 5-200 Hz Triaxial;
 operational
 Railway/Rolling Stock - EN 50155, EN 50121 and EN 61373
 Marine: ABS Type Approval for Shipboard Applications
 DNV (pending)
 Designed to Comply With - IEEE 1613 for Electric Utility

Substations and NEMA TS1/TS2 for Traffic Control
 Other - RoHS compliant

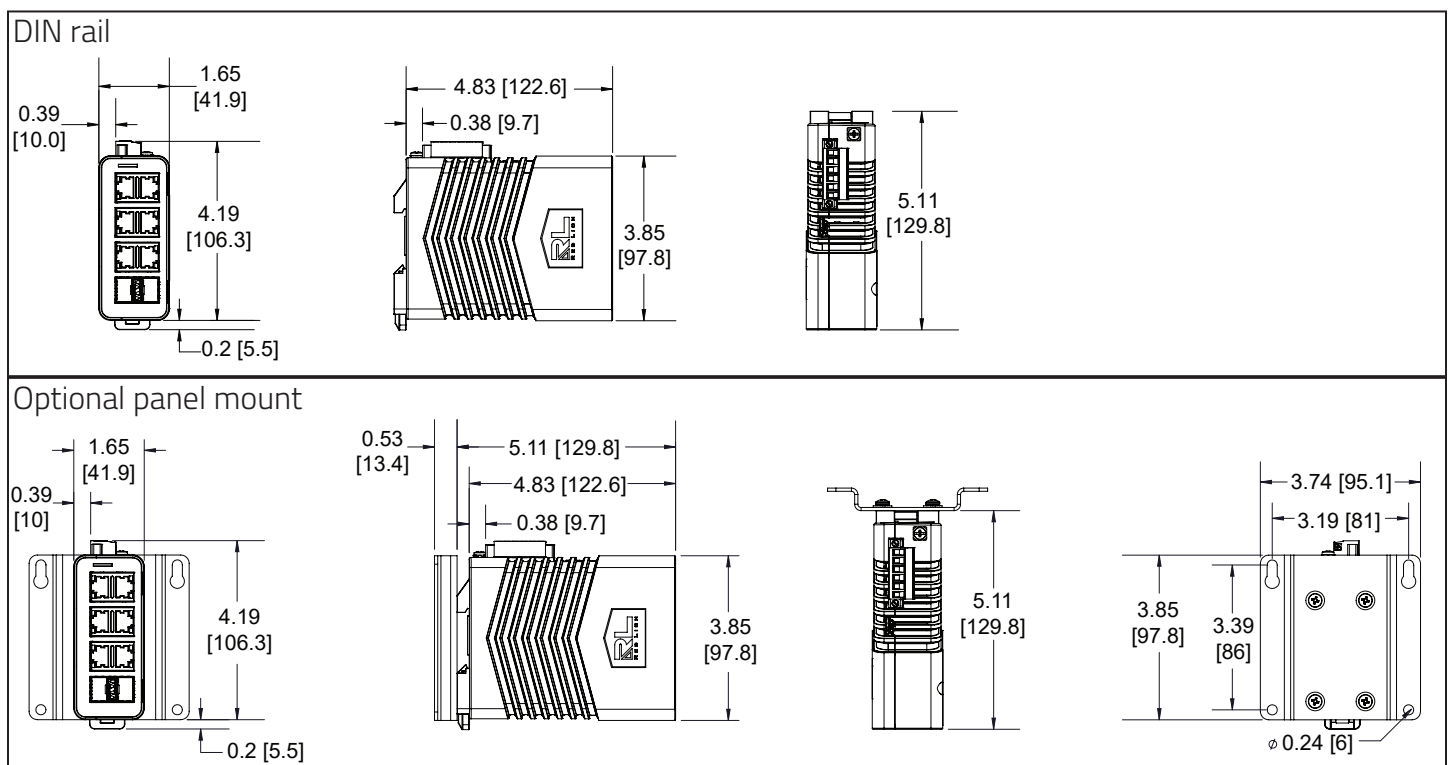
WARRANTY

3 years on design and manufacturing defects.

Specifications are subject to change.

Visit www.redlion.net for more information.

Dimensions In inches [mm]



NT5008-DM2 SPECIFICATIONS	
Weight	1.16 lbs. (0.52 kg)
Input Voltage Range	10-49 VDC
Steady Input Range	0.35 A @ 24 VDC
BTU/hr	28.66
Operating Temperature Range	-40 to 85 °C
Storage Temperature Range	-40 to 85 °C
Humidity (non-condensing)	10 to 95% RH
Operating Altitude	0 to 10,000 ft.

NETWORK MEDIA SPECIFICATIONS	
10BaseT	≥Cat3 Cable
100BaseTX	≥Cat5 Cable
1000BaseT	≥Cat5e Cable
100BaseFX, 1000BaseSX Multimode	50-62.5/125μm
100BaseFX, 1000BaseLX Singlemode	7-10/125μm

CONNECTORS	
10/100/1000BaseT	Six (6) RJ45 copper ports
Dual Mode 100/1000Base SFP Port	Up to two (2) SFP port transceivers (SFP transceivers sold separately)

RECOMMENDED MINIMUM WIRING CLEARANCE	
Front	4" (101.6 mm)
Top	4" (101.6 mm)

▲ NT5008-DM2 Transceiver Characteristics

SFP 100Base Fiber Transceiver Characteristics

Fiber Mode	MM	SM	SM	SM
Fiber Length*	2 km	15 km	40 km	80 km
TX Power Min.	-19 dBm	-15 dBm	-5 dBm	-5 dBm
RX Sensitivity Max.	-31 dBm	-34 dBm	-34 dBm	-34 dBm
Wavelength	1310 nm	1310 nm	1310 nm	1550 nm
Laser Type	FP	FP	FP	DFB

SFP 1000Base Fiber Transceiver Characteristics

Fiber Mode	MM	SM	SM	SM
Fiber Length*	550 m @ 50/125 μ m 275 m @ 62.5/125 μ m	10 km	40 km	80 km
TX Power Min.	-9.5 dBm	-9.5 dBm	-2 dBm	0 dBm
RX Sensitivity Max.	-17 dBm	-20 dBm	-22 dBm	-24 dBm
Wavelength	850 nm	1310 nm	1310 nm	1550 nm
Laser Type	VCSEL	FP	DFB	DFB

* Fiber Length distances represent typical performance. Link budgets should be evaluated based on specific application conditions.



www.redlion.net
[contact us](#)

For over 50 years, Red Lion has strived to be THE Industrial Data Company™. The company empowers industrial organizations around the world to unlock the value of data by developing and manufacturing innovative solutions to access, connect and visualize their information. Red Lion products make it easy for companies to gain real-time data visibility that drives productivity. Red Lion is part of Spectris plc, the experts in providing insight through precision measurement. For more information, please visit www.redlion.net.

©2023 Red Lion Controls, Inc. All rights reserved. Red Lion, the Red Lion logo, N-Tron, N-View, N-Ring, and THE Industrial Data Company are trademarks of Red Lion Controls, Inc. All other company and product names are trademarks of their respective owners.